

HIGH EFFICIENT RIGID MOUNTED INDUSTRIAL WASHER EXTRACTORS

RX
RANGE

RX 350 RX 520

33KG
72LB

52KG
114LB



FEATURES

- Rigid mounted, normal spin,
- Stainless steel top panel & Anthracite grey front and side panels
- Stainless steel drum and tub
- Xcontrol - easy to use microprocessor
- Patented Soap Hopper
- High capacity water inlets
- Large drain valves (2xØ 76 mm)
- Easy access to all vital parts from the front
- Large door opening for easy loading & unloading

OPTIONS

- Xcontrol Plus - Fully programmable
- Coin operated timer (CPS)
- Stainless steel front and side panels
- USB plug (on the back panel)
- Easy Soap - liquid soaps connection
- Liquid soap pumps
- Water recovery kit
- Steam heating version
- 3rd water inlet



ERGONOMICAL
CONSTRUCTION



LARGE DOOR
OPENING

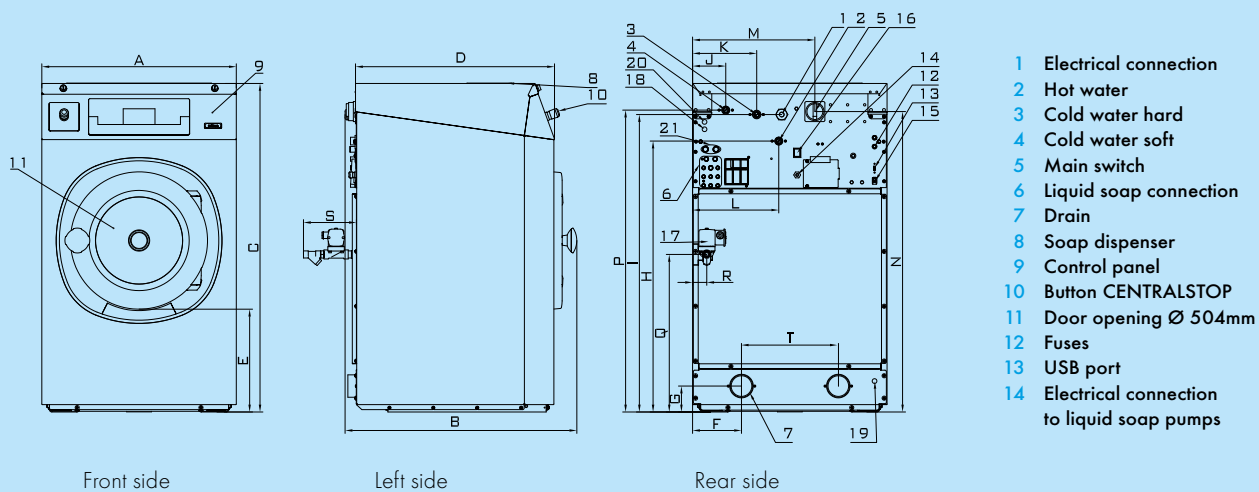


LOW WATER
AND ENERGY
CONSUMPTION



GET AHEAD IN LAUNDRY 

TYPE		RX350	RX520
INNERDRUM			
maximum capacity 1:9	kg	37	58
capacity 1:10	kg	33	52
volume	litres	332	520
diameter	mm	914	914
DRUM SPEED			
wash	rpm	38	38
extraction	rpm	540	440
G-FACTOR			
		150	100
HEATING			
electricity	kW	27	40,6
steam	bar	1 - 8	1 - 8
hot water	°C	90	90
Sound pressure level	dB (A)	< 65	< 65
Water valves connection	BSP	3/4"	1"
Water pressure	kPa	100-800	100-800
Rec. water pressure	kPa	300-500	300-500
Water inlet	l/min	66-188	183-518
Drain valve	outer Ø mm	2x76	2x76
Flow amount with drain valve	l/min	2x210	2x210
Steam valve connection	BSP	3/4"	3/4"
Steam pressure	kPa	100-800	100-800
DIMENSIONS			
Size H*W*D	mm	1500×1060×1030	1500×1060×1315
Net weight	kg	410	520
TRANSPORT DATA			
Packed H*W*D	mm	1625×1088×1060	1625×1088×1345
Gross weight	kg	425	535



- 1 Electrical connection
- 2 Hot water
- 3 Cold water hard
- 4 Cold water soft
- 5 Main switch
- 6 Liquid soap connection
- 7 Drain
- 8 Soap dispenser
- 9 Control panel
- 10 Button CENTRALSTOP
- 11 Door opening Ø 504mm
- 12 Fuses
- 13 USB port
- 14 Electrical connection to liquid soap pumps

DIMENSIONS

	A	B	C	D	E	F	G	H	I	J	K	L	M	N	P	Q	R	S	T	
RX350	1060	1030	1500	936	465	318	120	1326	1366	113	248	383	671	1349	1413	528	66	145	482	
RX520	1060	1315	1500	1221	465	318	120	1414	1374	88	223	363	671	1349	1332	528	66	145	482	
	width depth height																			



The company preserves the right to change the machines and the specification in this leaflet at any time, without prior notice. Details and photographs are only for information and never binding.

www.primuslaundry.com

Primus by Alliance Laundry Systems



12-2017